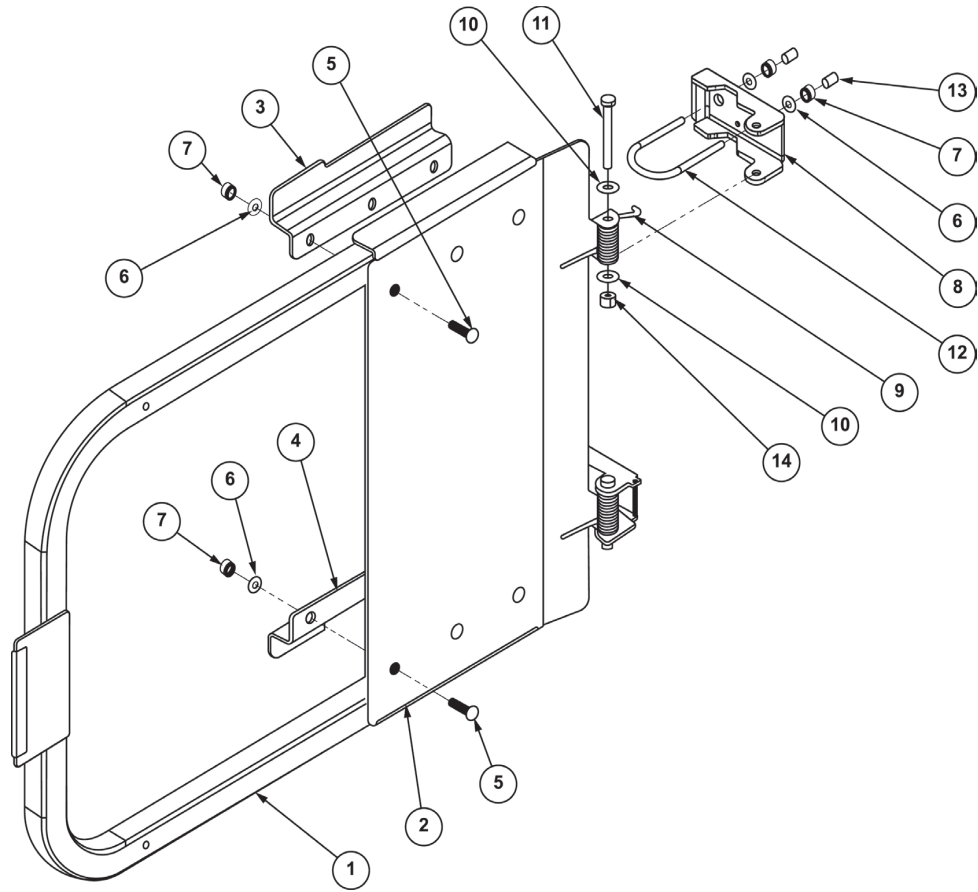


TremSafe Self-Closing Safety Gate

Installation Instructions



ITEM	DESCRIPTION	QTY.
1	SCG HOOP 27"	1
2	SCG PLATE 2 HINGE	1
3	SCG COMP BRACKET - R	1
4	SCG COMP BRACKET - L	1
5	BOLT - CARRIAGE, 5/16 - 18 x 1"	6
6	WASHER 5/16"	10
7	NUT - KEPS, 5/16"	10
8	SCG HINGE BRACKET	2
9	SPRING	2
10	WASHER - NYLON, 5/16"	4
11	BOLT, HEX, 5/16-18 x 3"	2
12	BOLT-U, 5/16-18 x 2" x 3 1/2"	2
13	RUBBER CAP	4
14	NUT, NYLON, 5/16"	2

TremSafe Self-Closing Safety Gate

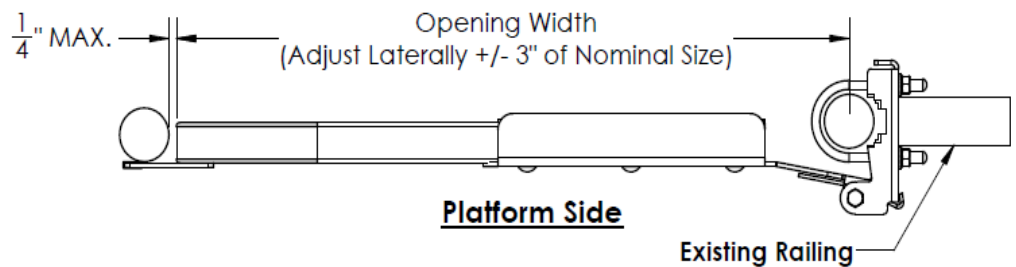
Installation Manual

- 1) Lightly attach the hinge brackets to the vertical upright of the railing with U-Bolts (Special applications: contact Tremco. for compression adapter kits for large diameter, flat bar, and angle iron posts). Additional adjustments may be necessary. Do not tighten the nuts at this stage of the installation.
- 2) Slide the gate into position so the top of the gate matches the top of the railing. Align the hinge bracket to be perpendicular to the gate and opening.
- 3) Loosen the compression brackets and slide the gate to the required opening width. Ensure that the stop plate overlaps and contacts the adjacent upright of the railing, allowing a $\frac{1}{4}$ " maximum clearance. Retighten the compression clamps.
- 4) Tighten the hardware on the U-bolts to 14 ft. / lbs. of torque.

Railings Up To 2" Round

(Large dia. post adaptor kits available - Contact Tremco.)

NOTE: Contact Tremco. for special installations or modification. Always Field verify completed installation for adequate performance.

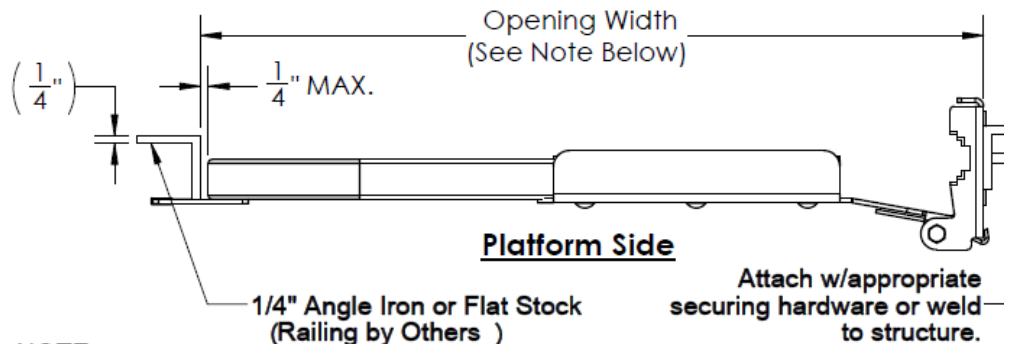


TremSafe Self-Closing Safety Gate

Installation For Angel Iron/Flate Stock Railing

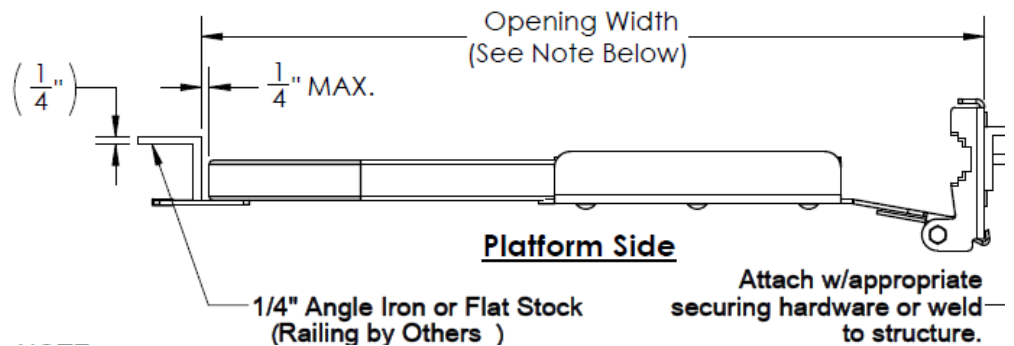
(Compression adaptor kits available - Contact Tremco.)

NOTE: For inside face mount, subtract 2-1/2" from opening size and choose the correct gate size based on that measurement.



Installing On Wall/Flat Surface

NOTE: For inside face mount, subtract 2-1/2" from opening size and choose the correct gate size based on that measurement.



Annual Inspection Procedure

- Verify that all fasteners are tightened.
- Replace any missing fasteners.
- Replace if there is any damage to the gate.



www.tremcoroofing.com
3735 Green Road
Beachwood, Ohio 44122
1.800.852.6013

220 Wicksteed Avenue
Toronto, Ontario M3H 1G7
1.800.668.9879

Tremco Roofing and Building
Maintenance is part of Tremco
Construction Products Group

Tremco is a US Registered trademark of Tremco CPG Inc.

The information provided on this data page supersedes all previous data concerning this product and its application.

The Statements provided concerning the materials shown are intended solely as a general guide for material usage and are believed to be true and accurate. Since the manner of use is beyond our control, Tremco DOES NOT MAKE NOR DOES IT AUTHORIZE ANY WARRANTY OF MERCHANTABILITY OR FITNESS FOR ANY PURPOSE, OR ANY OTHER WARRANTY, GUARANTEE OR REPRESENTATION, EXPRESSED OR IMPLIED, CONCERNING THIS MATERIAL EXCEPT THAT IT CONFORMS TO TREMCO'S PRODUCT SAMPLE. Buyer and user accept the product under those conditions and assume the risk of any failure, injury of person or property and loss or liability resulting from the handling, storage or use of the product, whether or not it is handled, stored, used in accordance with directions or specifications. UNDER NO CIRCUMSTANCE SHALL TREMCO BE LIABLE FOR CONSEQUENTIAL OR INCIDENTAL DAMAGES ARISING FROM ANY BREACH OF WARRANTY. IN ALL CASES, TREMCO'S LIABILITY IS LIMITED, AT TREMCO'S OPTION, TO THE REPLACEMENT OF GOODS, OR THEIR VALUE, PROVEN TO BE DEFECTIVE IN MANUFACTURING.